

CATER-COOK

Plate Warmers - Instruction Manual

Models: CK8030, CK8060, CK8080



To avoid risk of accidents or damage to the appliance, it is essential to read these instructions before it is installed and used for the first time.

Caterkwik Ltd

The Lakeland Catering Centre
Newlands
Ulverston
Cumbria
LA12 7QQ

01229 480001

info@caterkwik.co.uk





Plate Warmers - Instruction Manual

Safety Precautions

- 1) These units are designed to operate on alternating current supply only. **DO NOT CONNECT TO DIRECT CURRENT SUPPLY.**
- 2) Care should be taken when operating the units, as hot surfaces may cause burns.
- 3) If the supply cord is damaged, it must be replaced by the manufacturer or a qualified electrician.
- 4) Ensure that the power supply cord does not come into contact with hot surfaces.
- 5) Children should be supervised to ensure they do not play with or around the appliance.
- 6) The appliance is not to be cleaned with a water jet.
- 7) The appliance must not be immersed.
- 8) The fixed wiring connected must be equipped with the all-pole disconnection device that provide full disconnection under overvoltage conditions according to wiring rules.
- 9) When the product is connected to the supply wire, a RCD (Residual Current Device) rated 30mA leakage current should be used to prevent from shock or fire hazard.



Plate Warmers - Instruction Manual

Technical Data

The Cater-Cook range of Plate Warmers consists of 3 sizes.
Below are the technical specifications for each.

Model	Dimensions (mm)	Voltage	Power (w)	Capacity (ltr)
CK8030	W400 x D450 x H510	400W	230V 50Hz	47
CK8060	W400 x D420 x H810	750W	230V 50Hz	87
CK8080	W800 x D420 x H815	1500W	230V 50Hz	184



Plate Warmers - Instruction Manual

Appliance Operation

Cleaning The Appliance



Failure to clean the appliance in accordance with the following guidelines could cause damage to the appliance and its function and invalidate the warranty.

- 1) Fully isolate the unit from the power supply before any cleaning takes place.
- 2) Do not clean the unit with a direct jet of water.
- 3) The exterior of the unit should be washed with a damp cloth & mild detergent.
Use stainless steel cleaner if available.
- 4) Do not use any abrasive pads or chemicals when cleaning.
- 5) Once clean, gently dry with a clean cloth or towel.

Using The Appliance

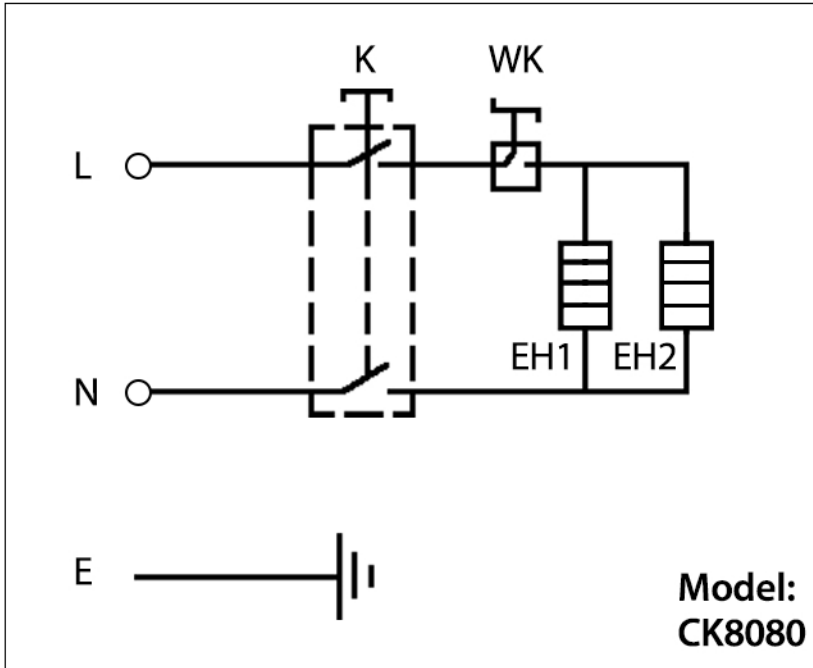
- 1) Unpack and inspect the unit before installing.
- 2) Situate the unit with a 50mm air gap at both sides & rear.
- 3) Ensure the final placement is on stable, level ground.
- 4) To set the desired temperature, rotate the knob clockwise.
- 5) Rotating the knob back to '0' will turn off the unit.

If the unit is out of use for a prolonged period of time. You should unplug it from the mains supply.



Plate Warmers - Instruction Manual

Circuit Diagram



Key

K - Switch

WK - Thermostat

EH - Heating Element

L - Live

N - Neutral

E - Earth

